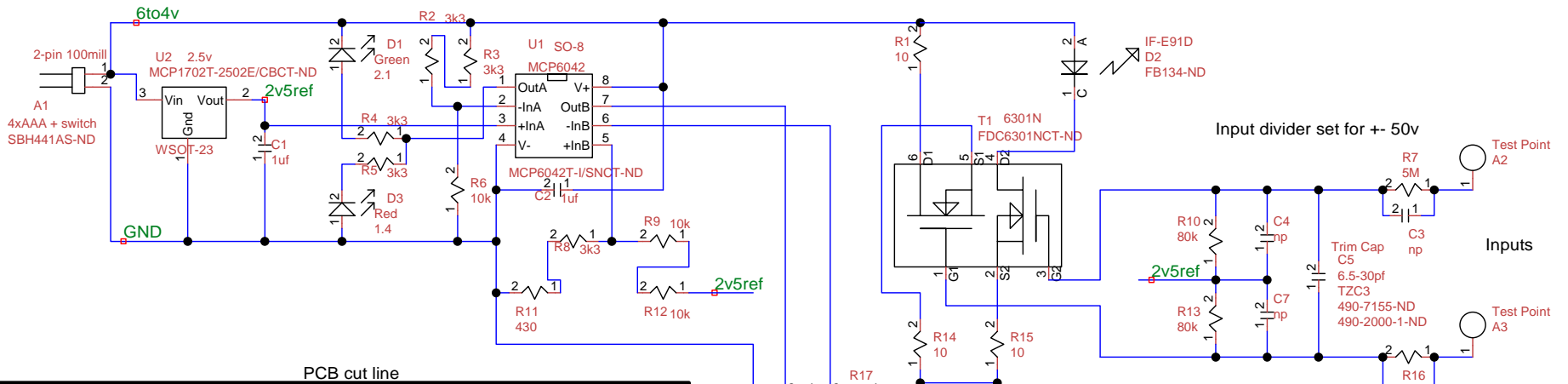
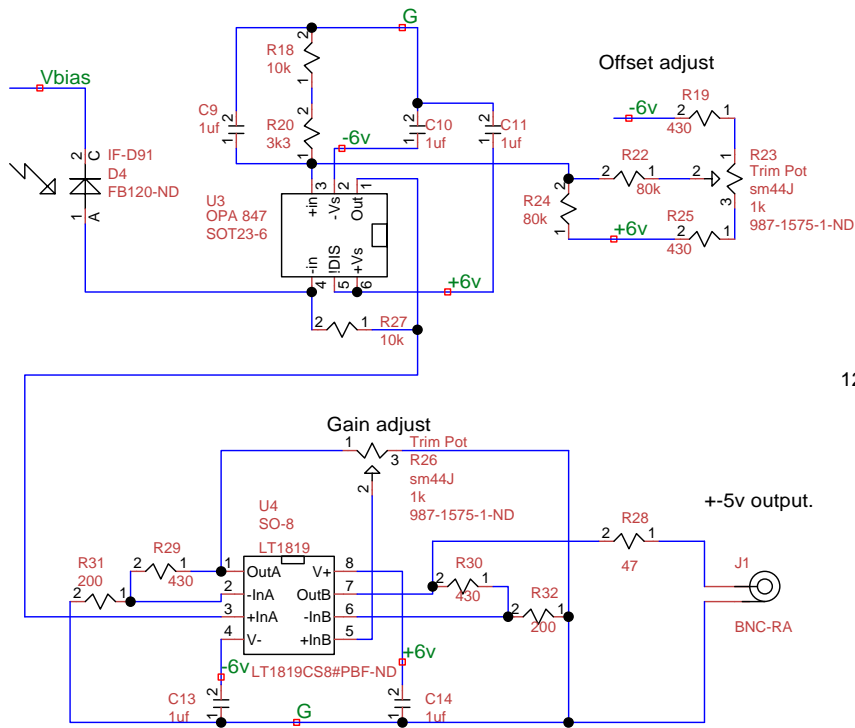


Voltage to light converter
battery powered >16h life



PCB cut line

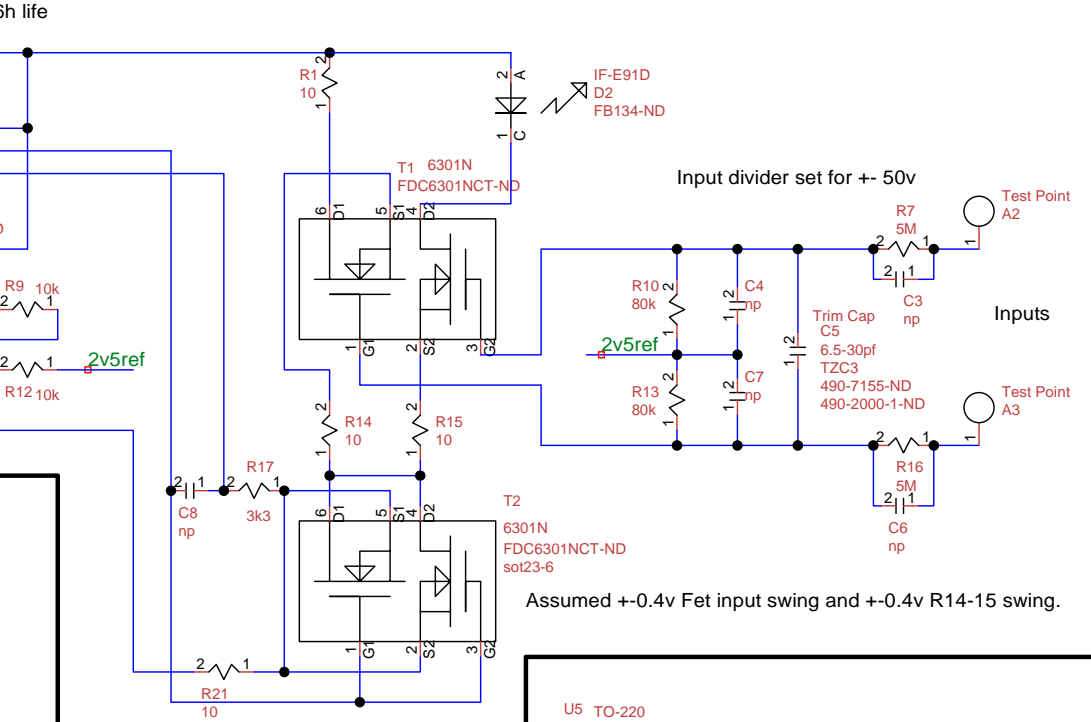
Light to voltage converter
Mains powered



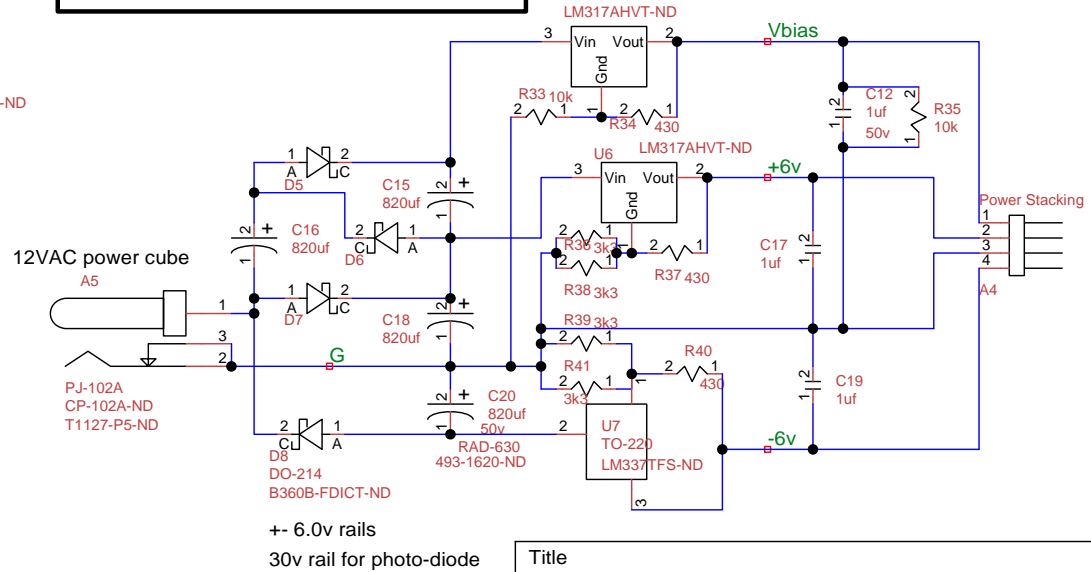
Mounting holes



Fiber Isolated Differential Voltage Probe
10x attenuation
50MHz bandwidth
10Mohm/0.2pf input loading



Assumed +/-0.4v Fet input swing and +/-0.4v R14-15 swing.



+/- 6.0v rails
30v rail for photo-diode

Title Isolated Probe		
Author Marty Lawson SSEC Lidar Group		
File	H:\Isolated Probe\Isolated Probe V1.0	
Revision 1.0	Date 6-13-2016	Sheets 1 of 1